

hawle

HAWLE-**COMBIFLEX**

The modular versatility



HAWLE. **MADE FOR GENERATIONS.**

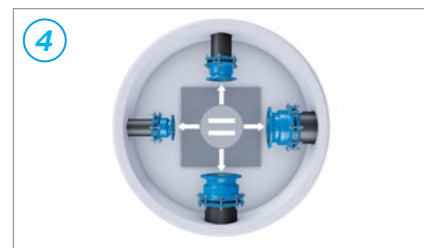


HAWLE-COMBIFLEX

The modular versatility

The modular HAWLE Combiflex is available in dimensions DN 250 and DN 300 up to PN 16. It can be tailored to suit on-site requirements. For horizontal outlets, there are various valves (with full passage reduced to DN 200 or DN 150) available with ZAK 46 sockets and tried-and-tested E2 valve technology as well as suitable end caps with ZAK 69 sockets.

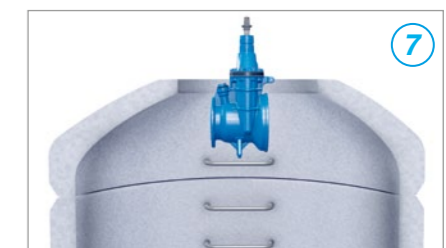
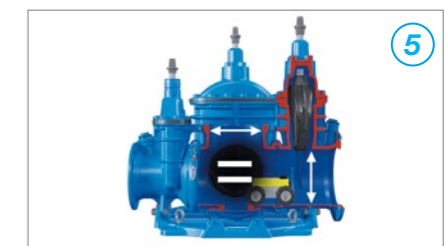
The vertical outlet can optionally be fitted with a flanged outlet in DN 100 or DN 150 and facilitates full access for service and maintenance work on the supply network or mounting of an air valve or hydrant. All components can be attached for any necessary changes to the HAWLE Combiflex using existing man holes.



- ① Fastening point on middle part
- ① ZAK 46 outlet for service connections, sensors, injection systems, etc.
- ② Quality anti-tamper seal
- ② Fastening on frame
- ③ Fastening point on floor
- ④ Ground-distance set
- ④ Even installation dimensions based on nominal diameter



- E2 valve technology
Spare parts and accessories
- Vertical outlet with flange gasket for hydrants and air valves
- High-quality corrosion protection
- ⑤ Free passage
- ⑥ Tension-free connection system
- ⑦ All parts can be individually attached using existing man holes
- ⑧ Integrated lifting hooks
- End cap with ZAK 69 outlet



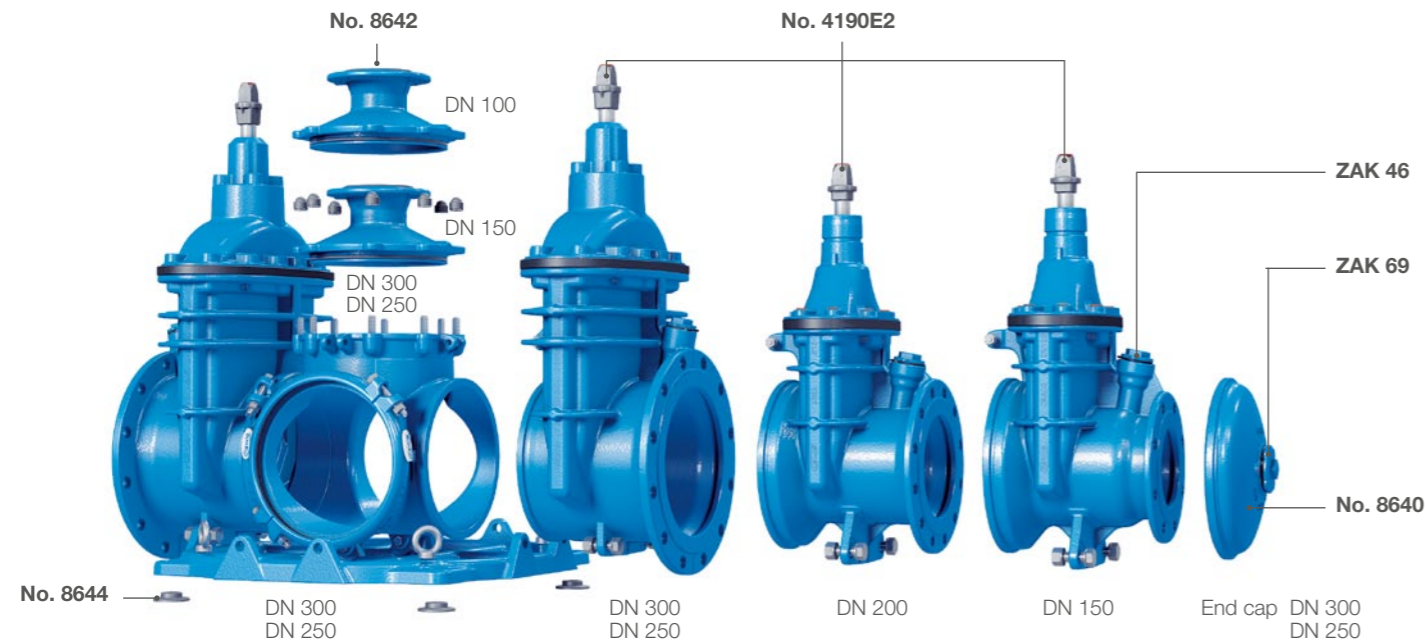
HAWLE - GUARANTEE OF QUALITY



HAWLE-COMBIFLEX

Product range

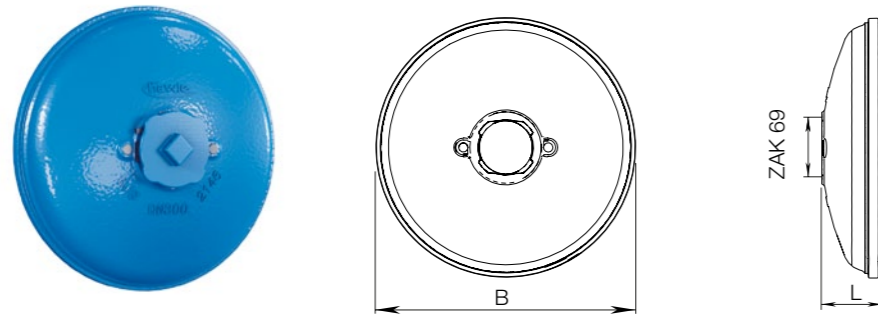
All outlets can be individually configured.



Order no.	Model	MOP (PN)	Dimensions/ DN	Possible reduction/DN	Possible vertical outlet/DN	Max. weight
4420E2	Individually configurable	10	250	150	100	465
		16		200	150	
		16		250	150	
		10	300	150	100	650
16	200	150				
		16	300	300	150	

HAWLE-COMBIFLEX END CAP

No. 8640



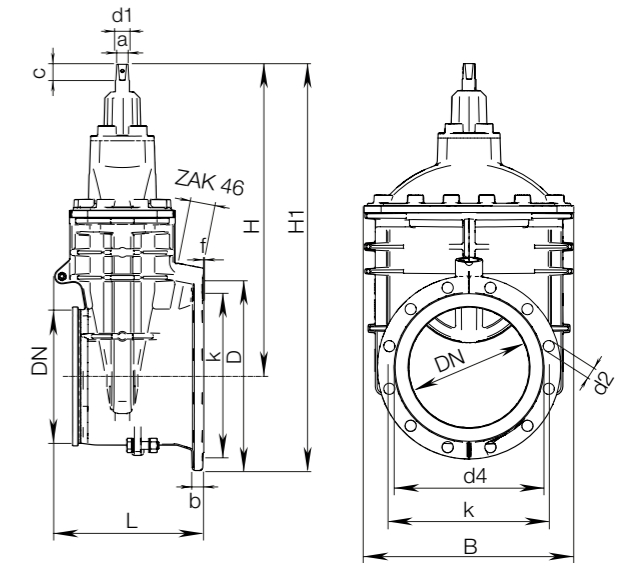
DN	HAWLE COMBIFLEX end cap			
	B	ZAK socket	L	Weight
250	284	ZAK 69	67	5,5
300	335	ZAK 69	77	7,5

HAWLE-COMBIFLEX E2 VALVE

No. 4190E2



Reduced valve

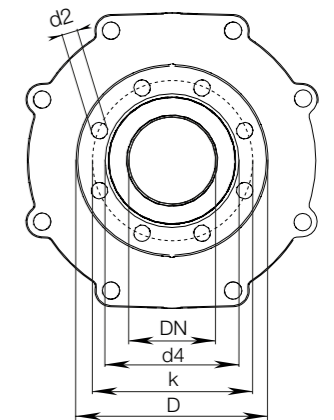
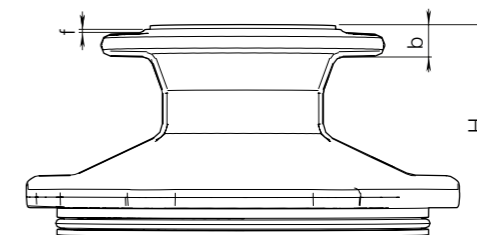


DN	HAWLE COMBIFLEX E2 valve																			
	Flange						Bolts			Spindle			Valve							
	DN	PN	D	b	k	d4	f	Quantity	Thread	d2	a	c	d1	Wedge DN	Service outlet	H	H1*	L*	B*	Weight
250	150	10	285	19	240	209	3	8	M20	23	19,3	38	28	200	ZAK 46	561	727	337	356	61,0
	16																			
	200	10	340	20	295	264	3	8	M20	23	24,3	48	32	200	ZAK 46	561	730	337	356	62,0
300	150	10	400	22	350	319	3	12	M20	23	27,3	48	34	250	ZAK 46	670	870	337	438	89,0
	16																			
	200	10	340	20	295	264	3	8	M20	23	24,3	48	32	200	ZAK 46	561	754	361	356	66,0
300	10	455	24,5	400	367	4	12	M20	23	27,3	48	34	300	ZAK 46	753	981	361	523	132,0	
	16																			
	16								M24	28										

* Shipping dimensions

HAWLE COMBIFLEX VERTICAL OUTLET with integrated flat gasket

No. 8642



DN	HAWLE COMBIFLEX vertical outlet											
	Flange						Bolts			Vertical outlet		
	DN	PN	D	b	k	d4	f	Quantity	Thread	d2	H	Weight
250	100	10	220	19	180	153	3	8	M16	19	146	12,0
	16											
	150	10	285	19	240	209	3	8	M20	23	146	11,0
300	100	10	220	19	180	153	3	8	M16	19	160	14,0
	16											
	150	10	285	19	240	209	3	8	M20	23	160	13,0
		16										

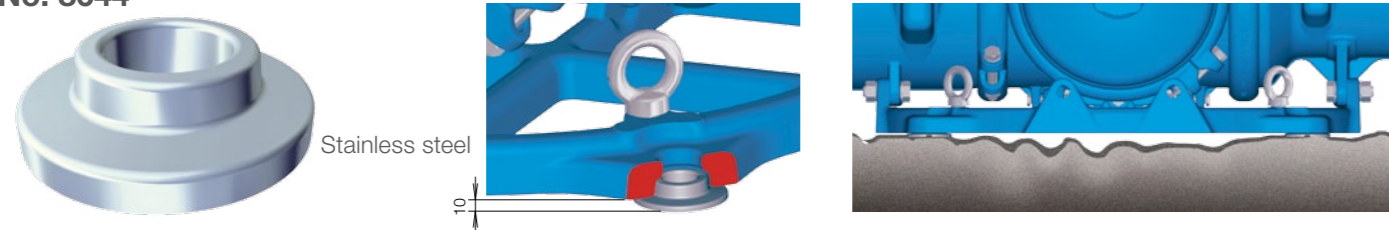
HAWLE-COMBIFLEX

Accessories and spare parts

HAWLE COMBIFLEX ground-distance set

Contains 4 washers

No. 8644



HAWLE-COMBIFLEX order form

Can be found on our homepage (www.hawle.at).

With the order form, you can order the parts you need to configure your HAWLE-Combiflex exactly how you need it on site, in no time at all. This document will accompany your customised HAWLE-Combiflex from the order process through to production and delivery.

E2 valve accessories and spare parts

<p>No. 7800</p>	<p>No. 9920</p>	<p>No. 9000E2</p>	<p>No. 9500E2</p>
<p>No. 8710E2</p>	<p>No. 8630E2</p>	<p>No. 8690E2</p>	<p>No. 8700E2</p>

Perfect for vertical outlets:

Hydrants and ventilation and air release valves

<p>No. 5060</p>	<p>No. 5151H4</p>	<p>No. 9836</p>	<p>No. 9837</p>	<p>No. 9838</p>
-----------------	-------------------	-----------------	-----------------	-----------------

Service connections (ZAK system)

<p>No. 2810</p>	<p>No. 3162</p>	<p>No. 6465</p>	<p>No. 3721</p>	<p>No. 2811</p>	<p>No. 6160</p>
-----------------	-----------------	-----------------	-----------------	-----------------	-----------------

Flange

<p>No. 7994</p>	<p>No. 0400</p>	<p>No. 7602</p>	<p>No. 0801</p>	<p>No. NL41</p>	<p>No. NL42</p>
-----------------	-----------------	-----------------	-----------------	-----------------	-----------------

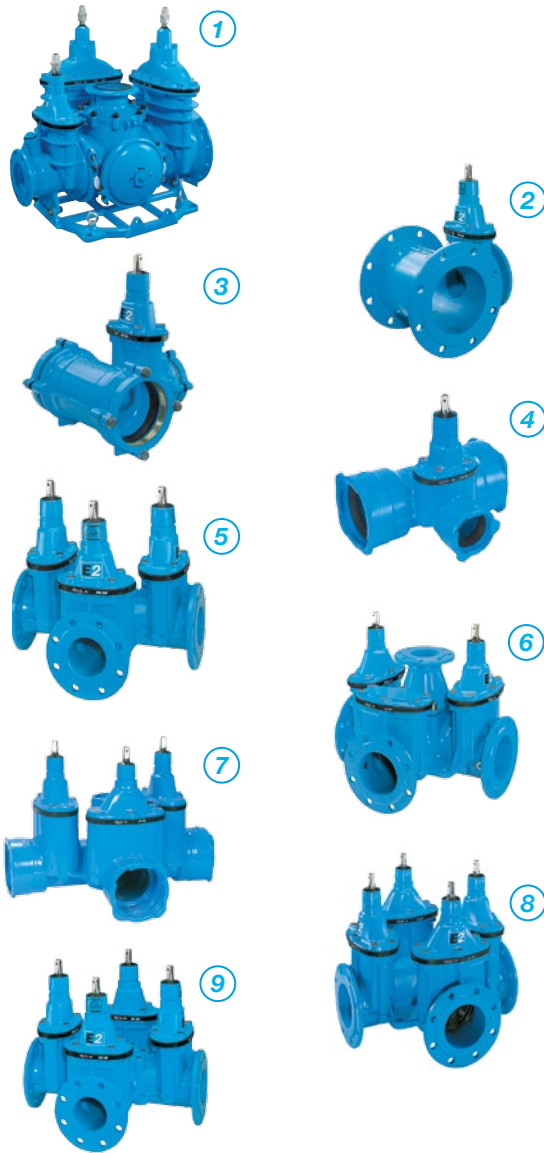
Other

Connection spacer ring with ZAK outlets

<p>No. 8591</p>

HAWLE COMBI VALVES

Product range



HAWLE COMBI VALVES							
Model	80	100	125	150	200	250	300
HAWLE-COMBIFLEX ¹							
Combi-T, flange ²							
Combi-T, System 2000 ³							
MMB valve, BAIO ⁴							
Combi-III, flange, without vertical outlet ⁵							
Combi-III, flange, with vertical outlet ⁶							
Combi-III, BAIO, with vertical outlet ⁷							
Combi-IV, without vertical outlet ⁸							
Combi-IV, with vertical outlet ⁹							

distributed by: